

LENO F
TASK LIGHT

divinity lights



Quick Info

CRI ≥ 90

3000K/ 4000K/ 5700K

Tunable white (2700K-6500K)

Non-Dimmable

DALI-2 DT6 / DALI-2 DT8/ DALI+

SDCM <3

Lens & Reflector

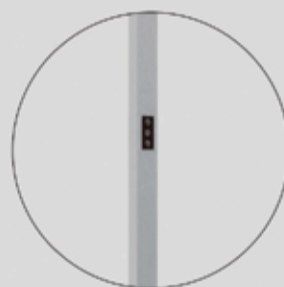
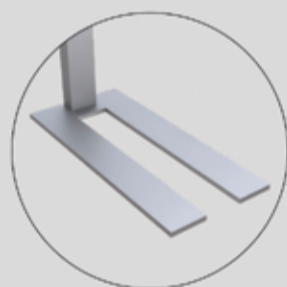
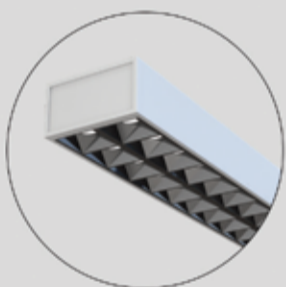
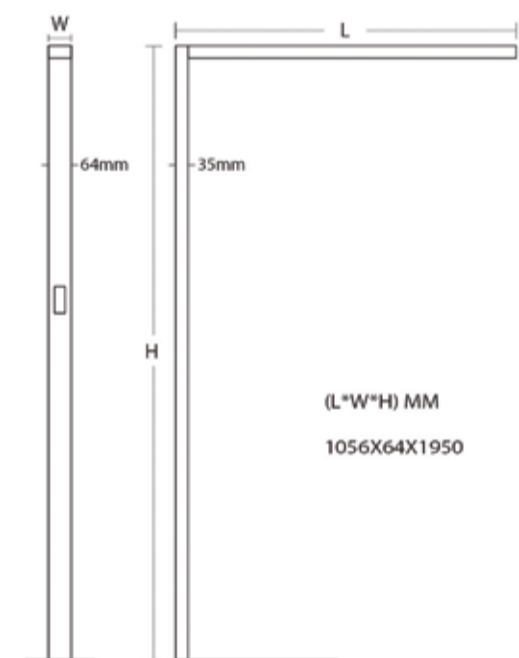
L70 @50,000h

Aluminium Die-cast

Types

Surface

Single Line Diagram



LENO F

Leno F fixture has :

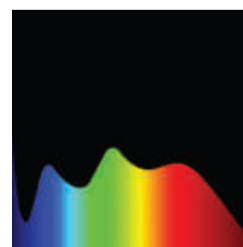
- Free standing single arm Task light luminaire
- Luminaire housing of aluminium
- Premium powder coated finish
- High efficiency lens and reflector optics
- SMD (Surface Mount Device) technology
- LED with high colour rendering
- Interpretation of the real environment light and colours
- Minimalistic design
- Numerous combinations of lamp head designs for a variety of desks

Colours



Light Distribution

Direct Direct-Indirect



CRI ≥ 90



TUNABLE
WHITE

LENO F TASK LIGHT



LENO F (DIRECT)

System Power	Dimension
35W	Arm L= 1056mm W= 64mm H= 1950mm

LENO F (DIRECT-INDIRECT)

System Power	Dimension
90W	Arm L= 1056mm W= 64mm H= 1950mm

Order Options

CCT (Colour Temperature)	
3000K	<input type="radio"/> 1
4000K	<input type="radio"/> 2
5700K	<input type="radio"/> 3

CRI	
>90	<input type="radio"/> 1

Beam Angle

Downside-90°
Upside-115°

Control

ON-OFF	<input type="checkbox"/>		1
ON-OFF (FLICKER FREE)	<input type="checkbox"/>		2
DALI-2 DT6	<input type="checkbox"/>		3
DALI-2 DT8	<input type="checkbox"/>		4

VOLTAGE

24V DC

Mounting

Floor Surface